

YLS-2000/20000-QCW

Quasi-CW High Power Ytterbium Fiber Laser



Applications

- ▶ 2D/ 3D Thin & Thick Cutting
- ▶ Processing Copper, Brass & Aluminum
- ▶ Welding
- ▶ Surface Treatment
- ▶ Drilling



Features

- ▶ CW Output Power 2 kW @ Workpiece
- ▶ Peak Power: 20 kW
- ▶ Pulse Duration: 0.2-10 ms
- ▶ Modulation up to 2 kHz
- ▶ Maintenance-free Operation
- ▶ Cost-effective Cutting System
- ▶ Record Reliability
- ▶ Compact, Rugged Design



IPG Photonics has expanded its QCW fiber laser series with new higher power models, including the **new YLS-2000/20000-QCW laser**. With a peak power of 20 kW, pulse durations of 0.2-10 ms and a maximum pulse energy of 200 J, the newest offering is IPG's QCW product family is well suited to drilling and cutting applications within the aerospace industry, where percussion drilling, trepanning and fine cut features are often required.

Available in compact form factor, with very low price per watt, IPG's QCW fiber lasers are substantially more cost-effective than conventional YAG lasers due to >30% wall-plug efficiency and maintenance-free operation. The QCW lasers are available for requalifying existing lamp-pumped processes.

YLS-2000/20000-QCW

Quasi-CW High Power Ytterbium Fiber Laser

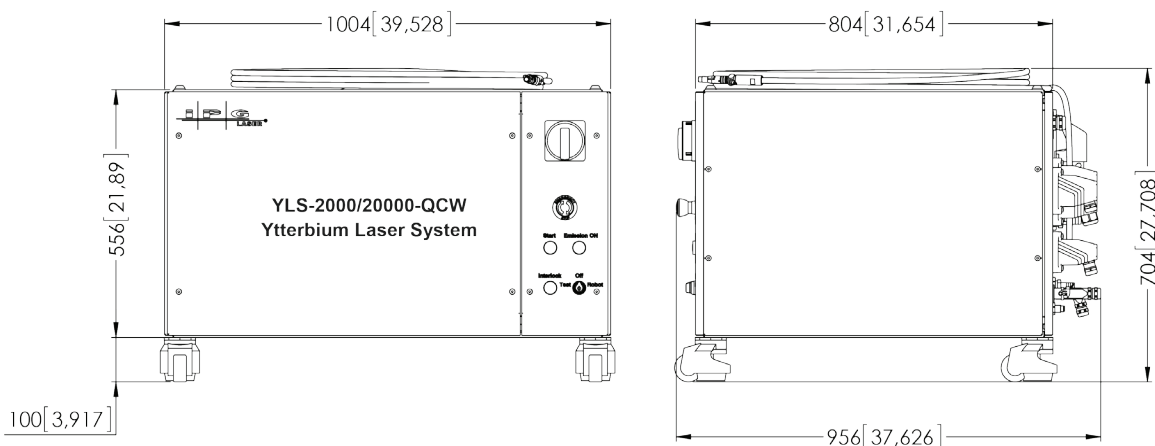
Optical Characteristics

Wavelength, nm	1070 ± 5
Mode of Operation	Pulsed/ CW
Repetition Rate, kHz	2
Average Power, W	2000
Power Tunability, %	10-100
Peak Power, W	20000
Max. Pulse Energy, J	200
Pulse Duration, ms	0.2-10
Power Stability, %	± 2

Beam Parameter Product, mm x mrad
 15 @ 300 μm feeding fiber
 4.2 @ 100 μm feeding fiber

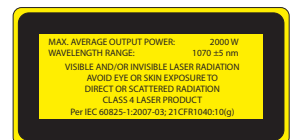
General Characteristics

Cabinet Dimensions, mm	1004 x 804 x 556
Weight, kg	380
Cooling	Water-cooled
Supply Voltage, VAC	400-480 3-phase, 50/60 Hz
Power Consumption, kW	<8



+1 (508) 373-1100; sales.us@ipgphotonics.com
 +49 2736 44200; sales.europe@ipgphotonics.com (all European Inquiries)

www.ipgphotonics.com



Legal notices: All product information is believed to be accurate and is subject to change without notice. Information contained herein shall legally bind IPG only if it is specifically incorporated into the terms and conditions of a sales agreement. Some specific combinations of options may not be available. The user assumes all risks and liability whatsoever in connection with use of a product or its application. IPG, IPG Photonics, The Power to Transform and IPG Photonics' logo are trademarks of IPG Photonics Corporation. © 2015 IPG Photonics Corporation. All rights reserved.

The Power to Transform®