



FLPN and FLPNT Series

Fe:ZnSe/S Nanosecond Pulsed Mid-IR Lasers

NEW PRODUCT

Fixed Frequency or Tunable
Air-cooled Optical Head



Applications

- ▶ Medical Applications
- ▶ Remote Sensing
- ▶ Materials Processing
- ▶ MALDI Mass Spectroscopy
- ▶ Industrial Process Control
- ▶ Environmental Monitoring



Features

- ▶ Selectable Wavelength 3.6-5.0 μm
- ▶ Excellent Beam Quality
- ▶ Pulsed Energy up to 1 mJ
- ▶ Pulse Width 2-20 ns
- ▶ Repetition Rate 0.1-1 kHz

IPG Photonics offers the Fe:ZnSe/S nanosecond pulsed Mid-IR laser. Customers can select a fixed frequency or tunable model in the 3.6-5.0 micron range. The FLPN and FLPNT series provide pulse energies over 0.5 mJ, a variable pulse duration between 2-20 ns and a pulse repetition rate up to 1 kHz. Unlike other Mid-IR lasers in this wavelength range, the FLPN laser does not require cryogenic cooling. The laser is pumped by IPG's efficient and reliable erbium or thulium fiber laser. IPG's FLPN pulsed Mid-IR laser is used for sensing, environmental monitoring and medical applications.

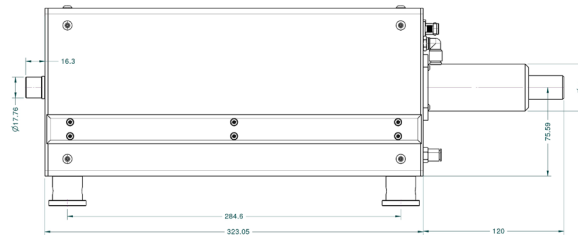
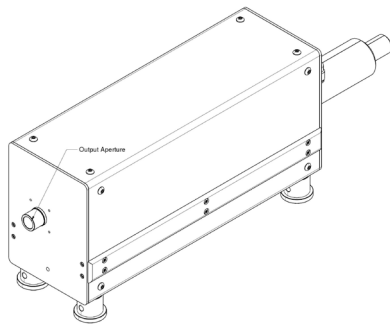
FLPN and FLPNT Series

Fe:ZnSe/S Nanosecond Pulsed Mid-IR Lasers

Optical Characteristics	FLPN	FLPNT
Mode of Operation	Pulsed	
Central Wavelength, μm	3.5-5.0 Fixed, Customer Selected	3.7-4.8, Tunable
Spectral Linewidth, MHz	<20, Typ. <10	
Pulse Energy, mJ	0.1-1.0	
Pulse Duration, ns	2-20	
Repetition Rate, kHz	0.1-1 kHz	
Polarization	Linear or Random	
Beam Mode, M^2	<1.2	
Beam Waist Diameter, mm (FW, $1/e^2$)	2 Typ.	
Beam Divergence, mrad (FW, $1/e^2$)	3 Typ.	
Warm-up Time, min	5 from Standby, 15 from Cold Start	

General Characteristics	IPG Photonics CW Er or Tm Fiber Laser
Pump Laser	IPG Photonics CW Er or Tm Fiber Laser
Pump Laser Dimensions (W x D x H), mm	448 x 403 x 132
Optical Head Dimensions (W x D x H), mm	107 x 323 x 143
Optical Head Cooling	Air
Supply Voltage, VAC, 50-60 Hz	110-220
Power Consumption*, W	200 Typ.

* Electrical power consumption depends on the output power of the system



+1 (205) 307-6677
sales.us@ipgphotonics.com

www.ipgphotonics.com/midIR

Legal notices: All product information is believed to be accurate and is subject to change without notice. Information contained herein shall legally bind IPG only if it is specifically incorporated into the terms and conditions of a sales agreement. Some specific combinations of options may not be available. The user assumes all risks and liability whatsoever in connection with use of a product or its application. IPG, IPG Photonics, The Power to Transform and IPG Photonics' logo are trademarks of IPG Photonics Corporation. ©2019 IPG Photonics Corporation. All rights reserved. Protected by US patents 5,541,948; 6,960,486; 7,548,571 and applicable licenses.

MAX. AVERAGE OUTPUT POWER: 2 W
MAX. PEAK OUTPUT POWER: 10 MW
PULSE DURATION: 2-20 ns
PULSE REPETITION RATE: 0.1-1 kHz
WAVELENGTH RANGE: 3300-5500 nm

**DANGER - INVISIBLE LASER
RADIATION AVOID EYE OR SKIN
EXPOSURE TO DIRECT OR
SCATTERED RADIATION
CLASS 4 LASER PRODUCT**
IEC 60825-1:2014

The Power to Transform®