



YLM-QCW Series

Single-mode Quasi CW Ytterbium Fiber Lasers

NEW PRODUCT

Peak Power up to 2 kW



Applications

- ▶ Spot Welding
- ▶ Seam Welding
- ▶ Microwelding
- ▶ Drilling
- ▶ Cutting
- ▶ Batteries
- ▶ Medical Devices
- ▶ Computer Components



Features

- ▶ Replacement for Lamp-pumped Lasers
- ▶ Outstanding Pulse Power/ Energy Stability
- ▶ Peak Power 2 kW
- ▶ Perfect Beam Quality
- ▶ Pulse Shaping/Internal Pulse Generator
- ▶ Highly Efficient >30% Wall-plug Efficiency
- ▶ Low Cost and Maintenance
- ▶ Compact Rugged Design

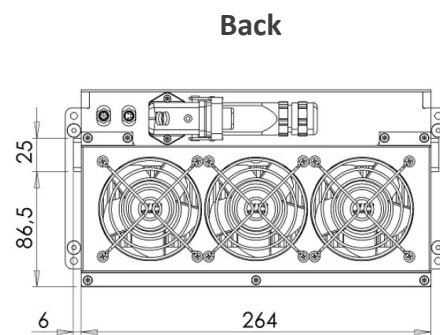
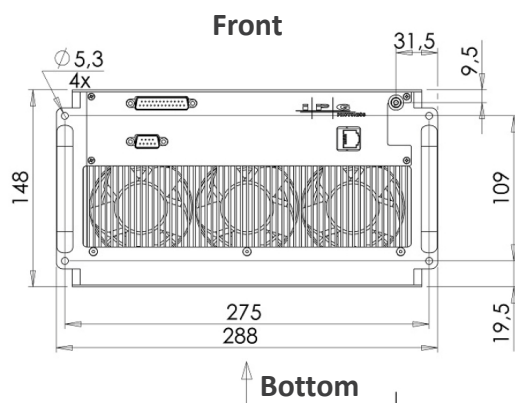
IPG Photonics' quasi continuous wave (QCW) fiber lasers are ideal for spot welding, seam welding & drilling in the long pulse operation mode. These air-cooled, compact units are substantially more cost-effective than conventional YAG lasers due to wall-plug efficiencies >30% and maintenance-free operation. The QCW fiber lasers are available for requalifying in existing lamp-pumped processes at IPG's application facilities. IPG's QCW Series also features a highly cost-effective OEM module. Utilizing the new pump diodes optimized for the QCW Series offers a highly cost-effective solution as it features redesigned control electronics with extended functionality.

YLM-QCW Series

Single-mode Quasi CW Ytterbium Fiber Lasers

Optical Characteristics	YLM-150/1500-QCW	YLM-200/2000-QCW
Wavelength, nm	1070 ±5	
Mode of Operation	Pulsed/CW	
Repetition Rate, kHz	10	
Max. Average Power CW/QCW, W	250/150	250/200
Power Tunability, %	10-100	
Peak Power, W	1500	2000
Max. Pulse Energy, J	15	20
Pulse Duration, ms	0.05-50	
Power Stability, %	±1	
Beam Quality, M ²	1.05	

General Characteristics		
Module Dimensions (W × D × H), mm	264 × 442 × 148	
Weight, kg	<25	
Cooling	Air-cooled	
Supply Voltage, VDC	48	
Pulsed Power Consumption, W	<600	<1000
CW Power Consumption, W	<900	<1000



+1 (508) 373-1100
 sales.us@ipgphotonics.com
www.ipgphotonics.com

Legal notices: All product information is believed to be accurate and is subject to change without notice. Information contained herein shall legally bind IPG only if it is specifically incorporated into the terms and conditions of a sales agreement. Some specific combinations of options may not be available. The user assumes all risks and liability whatsoever in connection with use of a product or its application. IPG, IPG Photonics, The Power to Transform and IPG Photonics' logo are trademarks of IPG Photonics Corporation. © 2012-18 IPG Photonics Corporation. All rights reserved.

MAX. AVERAGE OUTPUT POWER: 400 W
 MAX. PEAK OUTPUT POWER: 4,000 W
 PULSE DURATION: 0.01-100 ms
 PULSE REPETITION RATE: 0-50 kHz
 WAVELENGTH RANGE: 900-1200 nm

⚠ DANGER - INVISIBLE LASER
 RADIATION AVOID EYE OR SKIN
 EXPOSURE TO DIRECT OR
 SCATTERED RADIATION
 CLASS 4 LASER PRODUCT
 IEC 60825-1:2014

The Power to Transform®