



GLR Series

CW Green Single-frequency Fiber Laser

NEW PRODUCT

Output Power up to 100 W



Applications

- ▶ Pumping Ti:Sapphire, OPOs, Solid State and Dye Lasers
- ▶ Atom Cooling and Trapping
- ▶ Solar Cell Manufacturing
- ▶ Holography and Interferometry
- ▶ Particle Imaging Velocimetry/Flow Visualization
- ▶ Medical Diagnostics, Therapy and Surgery
- ▶ Manufacturing Inspection and Quality Control
- ▶ Entertainment and Projection



Features

- ▶ Wavelength 532 nm
- ▶ Output Power up to 100 W
- ▶ Beam Quality $M^2 < 1.1$
- ▶ Single-frequency < 1 MHz
- ▶ Power Stability 1%
- ▶ Optical Noise $< 0.2\%$ RMS
- ▶ Linear Polarization $> 100:1$
- ▶ Compact and Low Cost
- ▶ Telecom Reliability
- ▶ Industrial Performance

IPG Photonics' GLR Series is a family of single-mode, single-frequency CW green fiber lasers with output powers up to 100 W. Based on IPG's pioneering highly efficient and reliable fiber laser technologies, GLR lasers feature a super-compact lightweight optical head, connected with a fiber cable to an air-cooled rack-mounted main laser console. The all fiber construction allows for full range adjustment of output power without any change in power stability and beam mode parameters. The GLR Series green CW lasers are used across a variety of applications from materials processing and medical to scientific and entertainment.

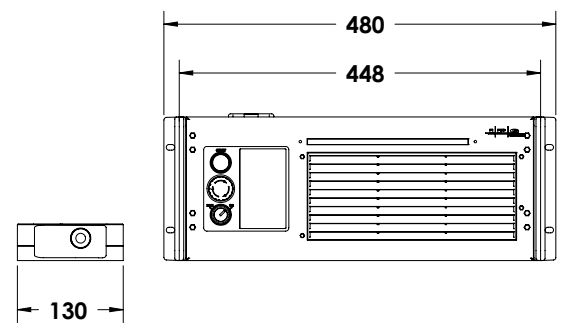
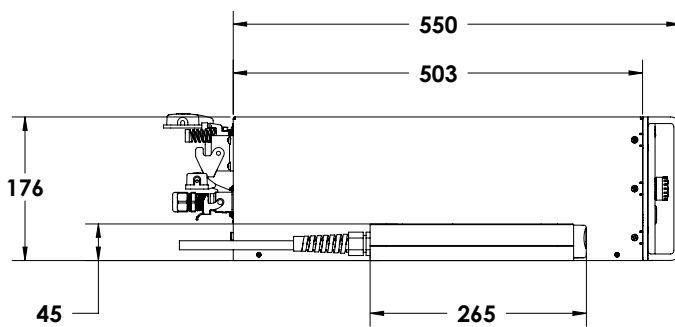
GLR Series

CW Green Single-frequency Fiber Laser

Optical Characteristics	GLR-10	GLR-20	GLR-30	GLR-50	GLR-100
Wavelength, nm	532				
Linewidth FWHM, MHz	<1				
Mode of Operation	CW				
Average Power, W	10	20	30	50	100
Power Stability*, %	±0.5				
Optical Noise (<20 MHz), %RMS	0.2				
Polarization	Linear, >100:1				
Beam Quality, M ²	TEM _{00'} < 1.1				

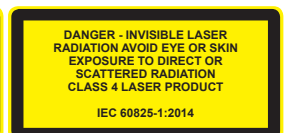
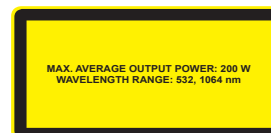
*Over 8 hours, T= const.

General Characteristics					
Main Console Dimensions (W × D × H), mm	448 × 132 × 403			448 × 176 × 503	
Optical Head Dimensions (W × D × H), mm	130 × 45 × 265				
Cooling	Air-cooled				
Supply Voltage, VAC	100-240, 50-60 Hz				
Power Consumption, W	120	180	240	300	500



+1 (508) 373-1100
 sales.us@ipgphotonics.com
www.ipgphotonics.com

Legal notices: All product information is believed to be accurate and is subject to change without notice. Information contained herein shall legally bind IPG only if it is specifically incorporated into the terms and conditions of a sales agreement. Some specific combinations of options may not be available. The user assumes all risks and liability whatsoever in connection with use of a product or its application. IPG, IPG Photonics, The Power to Transform and IPG Photonics' logo are trademarks of IPG Photonics Corporation. © 2016-18 IPG Photonics Corporation. All rights reserved.



The Power to Transform®