

YLS-CUT Series

High Power Ytterbium Fiber Lasers

NEW PRODUCT



Applications

- ▶ 2D/ 3D Thin & Thick Cutting
- ▶ Processing Copper, Brass & Aluminum



Features

- ▶ CW Output Power 8 kW @Workpiece
- ▶ Wall-plug Efficiency >40%
- ▶ Fiber Delivery 50, 100 or 150 μm
- ▶ Hot Redundancy
- ▶ Maintenance-free Operation
- ▶ Cost-effective Cutting System
- ▶ Record Reliability
- ▶ Compact Rugged Design

IPG's CUT laser series is developed specifically for demanding cutting applications. Supplied in the smallest form factor available on the market, lasers can be easily integrated within cutting machines. Lasers are packaged in a hermetically sealed cabinet containing an internal dryer, **enabling the laser to be used in the harshest of production environments**. IPG's CUT incorporates the latest IPG technical improvements including:

- New high power, high reliability diode modules
- New fiber block design with 3X increase in damage power threshold, resulting in increased reliability
- New internally developed and manufactured modular digital power supplies with higher efficiency and enhanced unparalleled redundancy features
- New digital laser diode current drivers with increased control flexibility, stability and precision
- New control system allowing integrated control of both laser and process subsystem

YLS-CUT Series

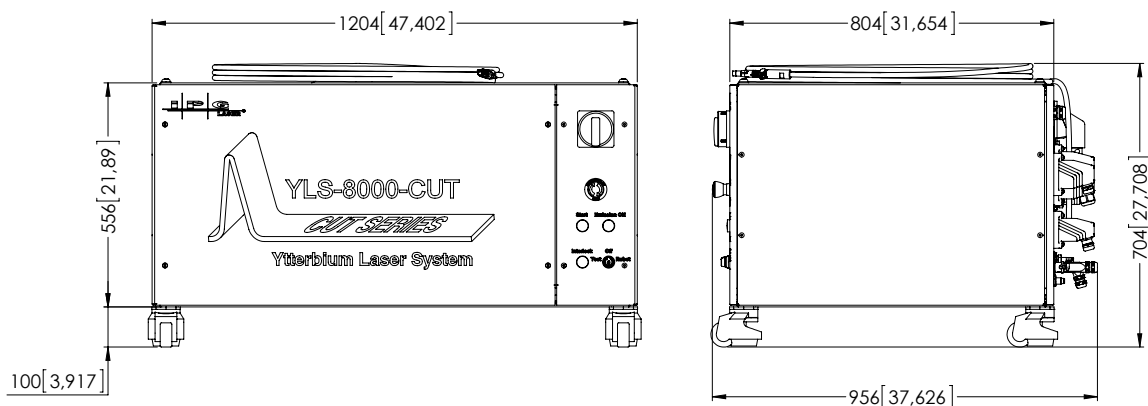
High Power Ytterbium Fiber Lasers

Optical Characteristics

Wavelength, nm	1070 ± 5
Mode of Operation	CW/ Modulated
Modulation Frequency, kHz	<5
Average Power, kW	1, 2, 3, 4, 5, 6, 7, 8
Power Tunability, %	10 - 100
Power Stability, %	± 2
Output Fiber Core Diameter, μm	50, 100, 200
Beam Parameter Product, mm x mrad	<2, <4, <8

General Characteristics

Cabinet Dimensions, mm	
1-5 kW	1004 x 804 x 556
6-8 kW	1204 x 804 x 556
Weight, kg	150-330
Supply Voltage, VAC	400 - 480 3-phase, 50/60 Hz
Wall-plug Efficiency, %	40



+1 (508) 373-1100; sales.us@ipgphotonics.com
 +49 2736 44200; sales.europe@ipgphotonics.com (all European Inquiries)

www.ipgphotonics.com

Legal notices: All product information is believed to be accurate and is subject to change without notice. Information contained herein shall legally bind IPG only if it is specifically incorporated into the terms and conditions of a sales agreement. Some specific combinations of options may not be available. The user assumes all risks and liability whatsoever in connection with use of a product or its application. IPG, IPG Photonics, The Power to Transform and IPG Photonics' logo are trademarks of IPG Photonics Corporation. © 2013-15 IPG Photonics Corporation. All rights reserved.

