

## The Power to Transform® with IPG's Collimators

### Main Features:

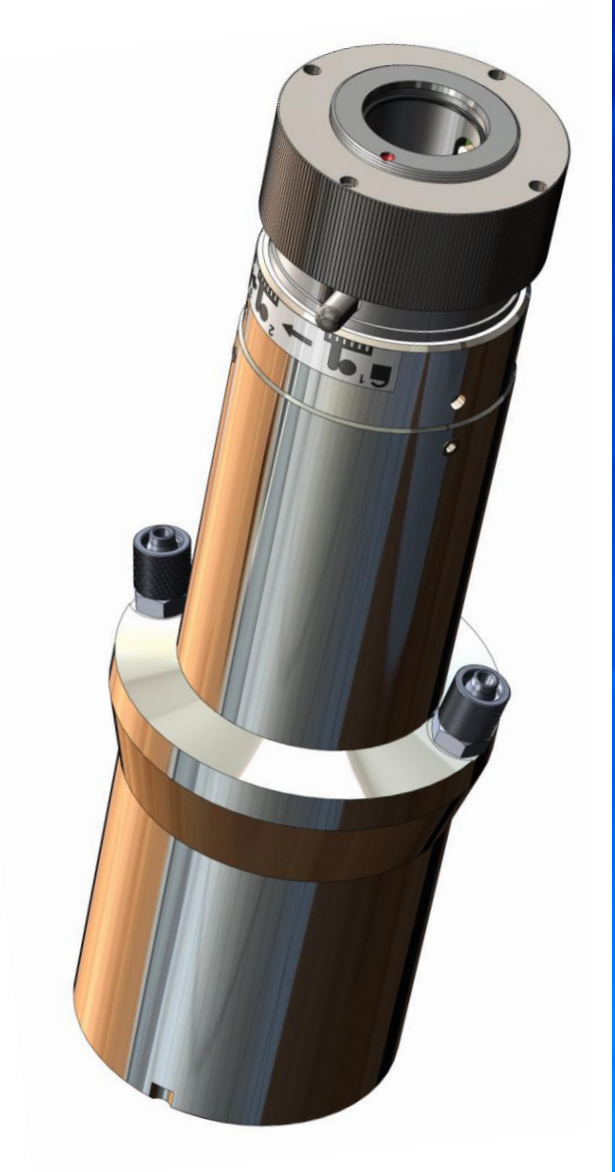
- Factory tuned for accurate collimation (Better than +/- 10um)
- 25mm, 30mm, 50mm Optics
- Air and Water Cooled versions
- Protective Window Option (D25, D50)
- Bayonet Types:
  - QBH/FCH-8 (Single, Double-Lock)
  - QD/FCA
  - FCH-16
- Competitive Pricing

### Specifications:

<b>MAX LASER POWER</b>	< 10kW (D25, D30) > 10 kW (D50)
<b>FOCAL LENGTH (D25)</b>	50,60,70,85
<b>FOCAL LENGTH (D30)</b>	100
<b>FOCAL LENGTH (D50)</b>	100,120,140,160,180,200
<b>WEIGHT</b>	0.43 – 0.61 kg (D25) 0.56 – 0.68 kg (D30) 0.78 – 1.01 kg (D50)

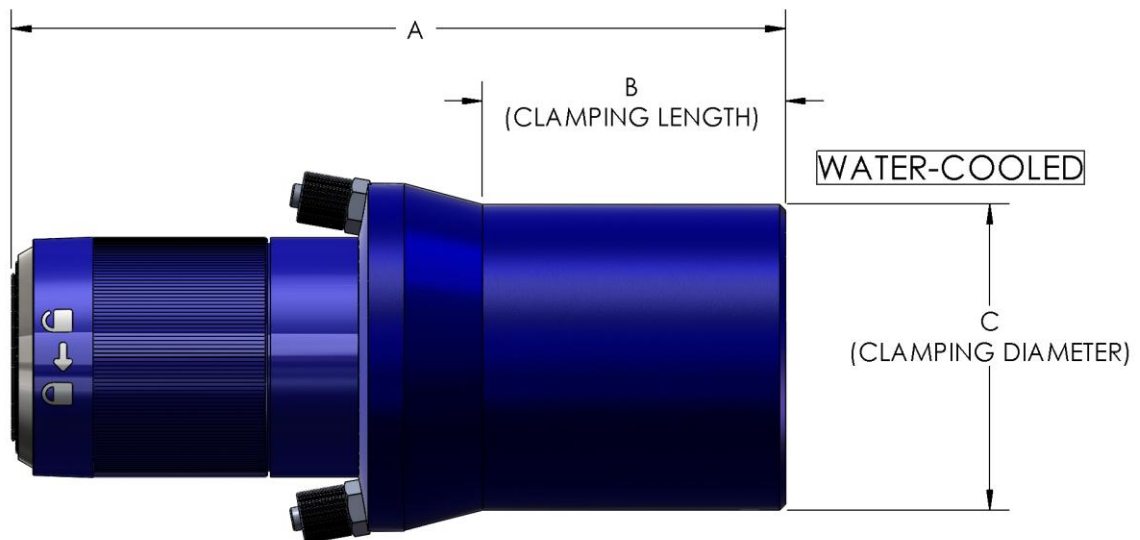
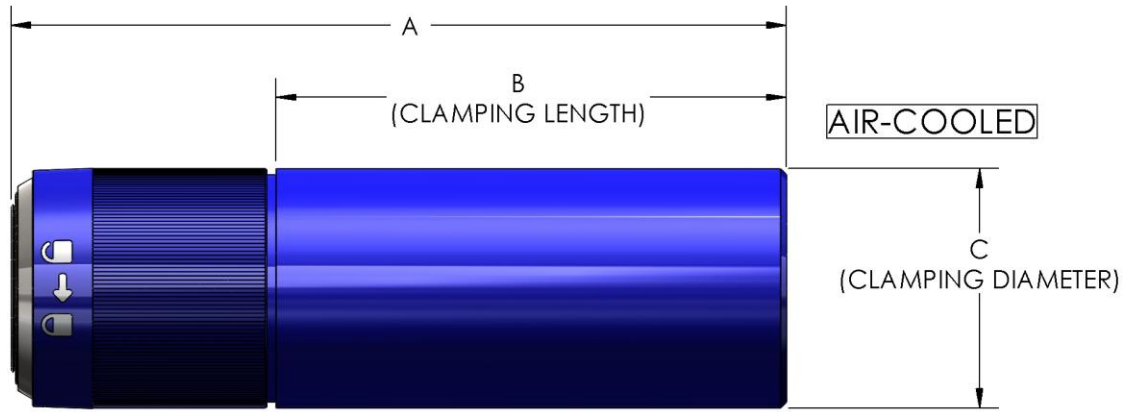
### Bayonet Types:

	D25	D30	D50
QBH/FCH-8 Single Lock	✓		✓
QBH/FCH-8 Double Lock		✓	
QD/FCA	✓		✓
FCH-16			✓



**Dimensions:**

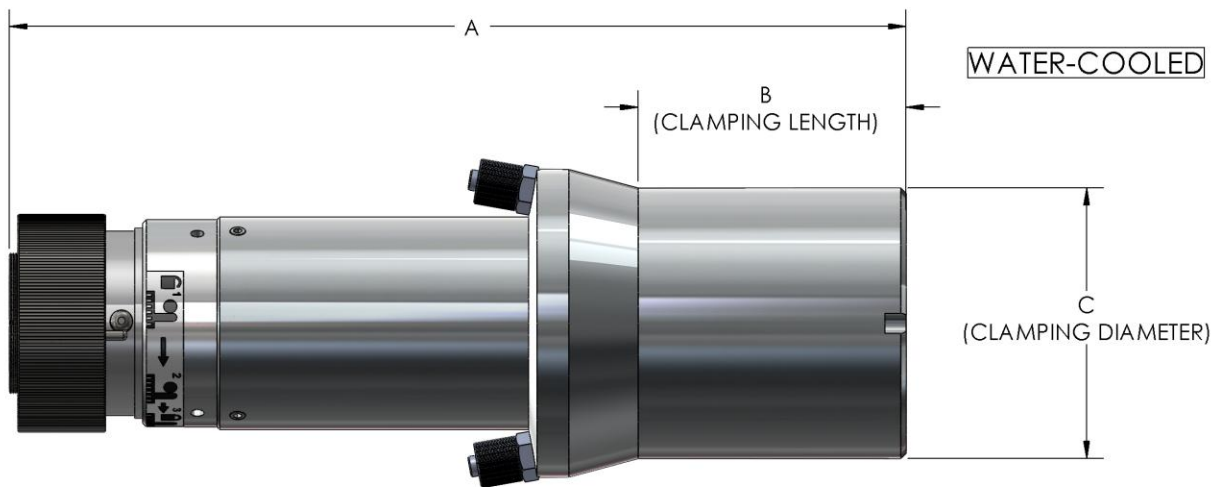
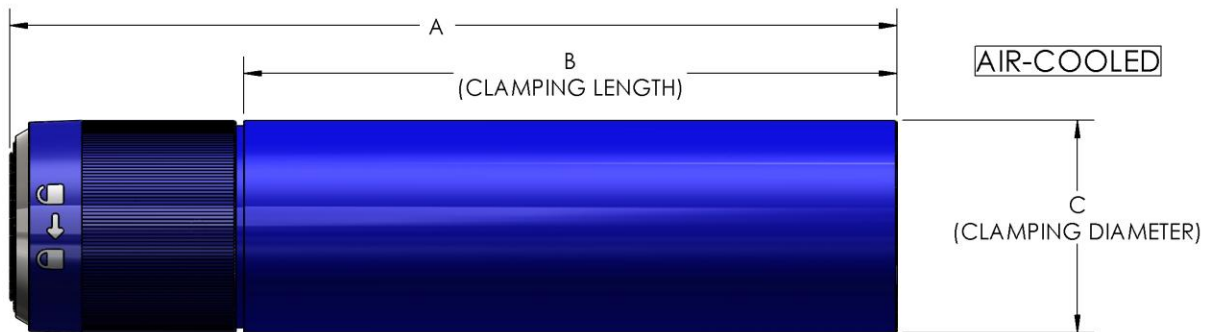
**D25 Collimator**



COLLIMATING LENS (mm)	50 (AC)	50 (WC)	60 (AC)	60 (WC)	70 (AC)	70 (WC)	85 (AC)	85 (WC)
A(mm)	129	129	129	129	137	137	155	155
B(mm)	85	50.47	85	50.47	85	50.47	85	50.47
C(mm)	40	51	40	51	40	51	40	51

**Dimensions:**

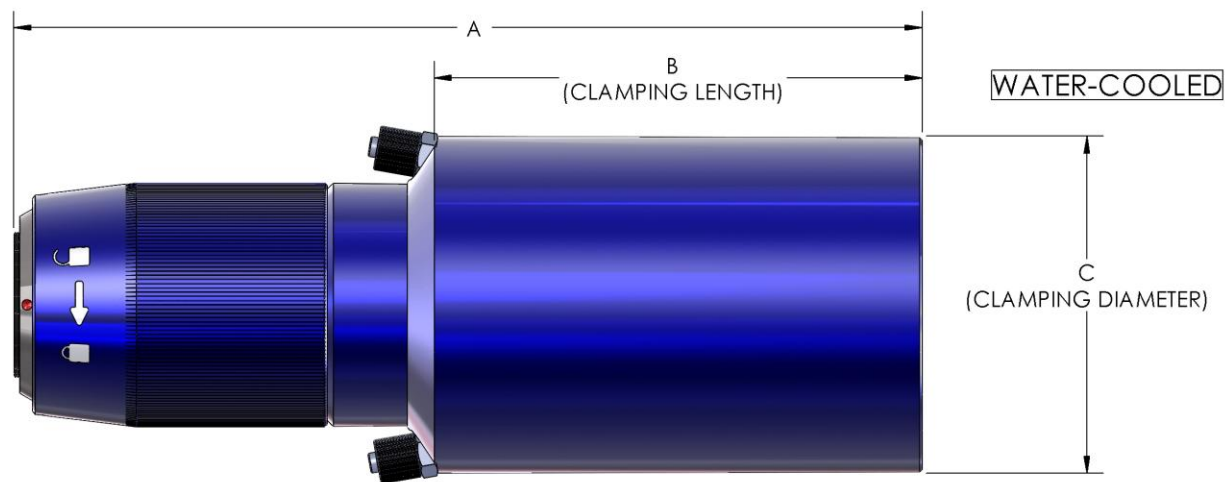
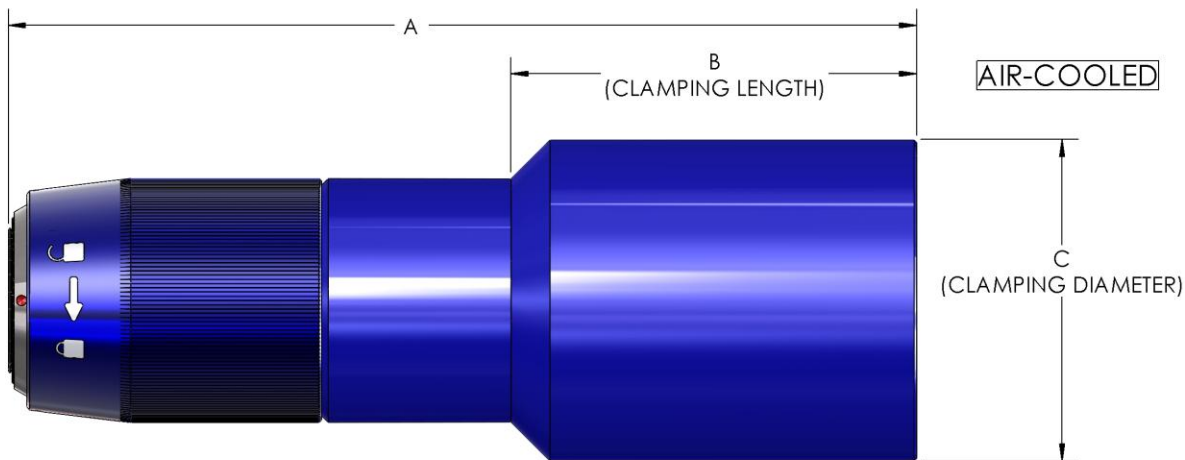
**D30 Collimator**



COLLIMATING LENS (mm)	100 (AC)	100 (WC)
A(mm)	172	172
B(mm)	128	50.5
C(mm)	40	51

**Dimensions:**

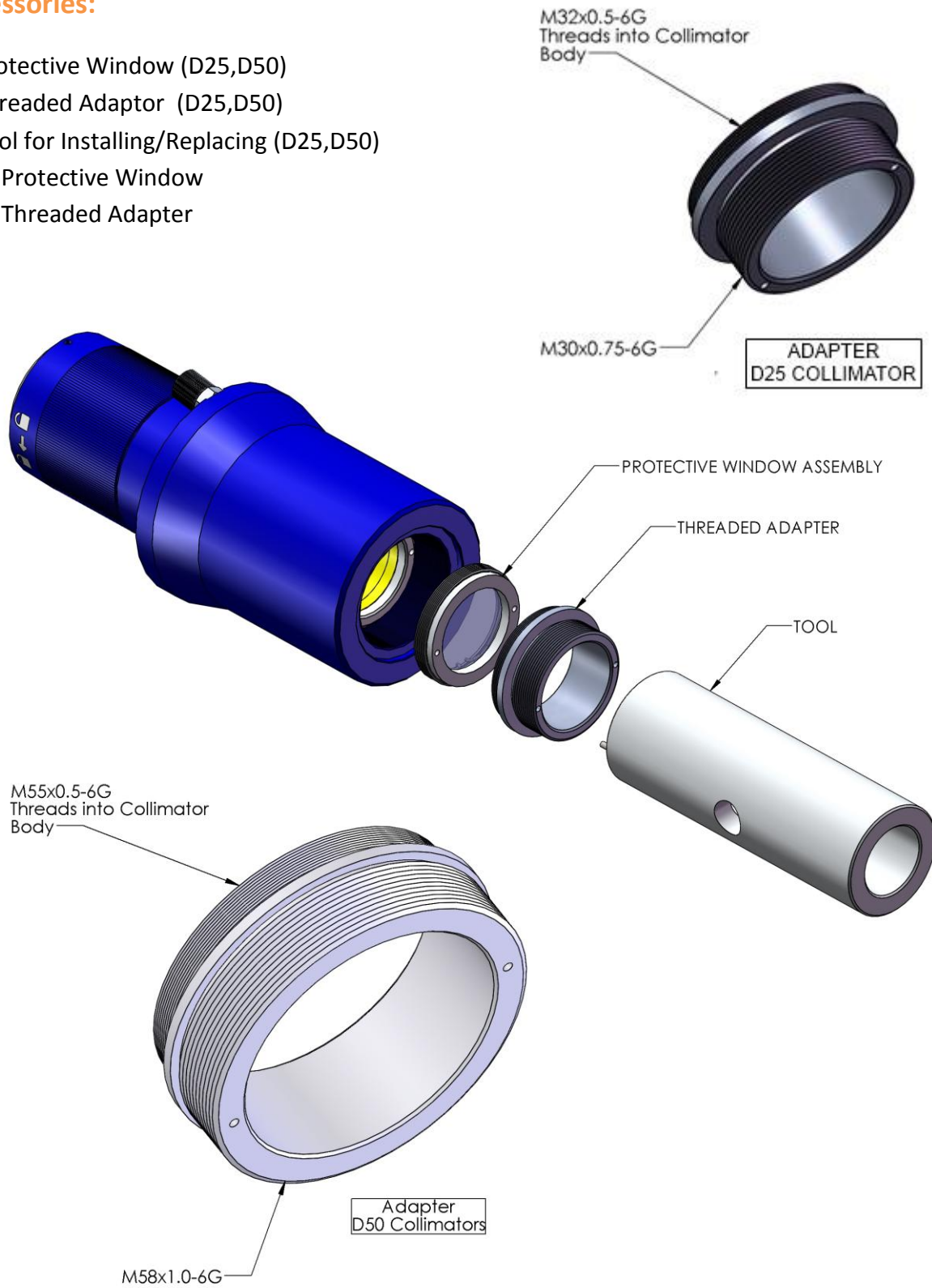
**D50 Collimator**



COLLIMATING LENS (mm)	100 (AC)	100 (WC)	120 (AC)	120 (WC)	140 (WC)	160 (AC)	160 (WC)	180 (WC)	200 (WC)
A(mm)	175	175	197	197	218	235	235	269	278
B(mm)	71	94	92	94	94	93	94	94	94
C(mm)	62	65	62	65	65	62	65	65	65

**Accessories:**

- Protective Window (D25,D50)
- Threaded Adaptor (D25,D50)
- Tool for Installing/Replacing (D25,D50)
  - Protective Window
  - Threaded Adapter



**Ordering Information:****Collimators**

<b>DIAMETER OF OPTICS (mm)</b>	<b>FOCAL LENGTH (mm)</b>	<b>COOLING MEDIUM</b>	<b>PART NUMBER</b>
25	50	AIR	P30-001459
25	50	WATER	P30-001354
25	60	AIR	P30-001460
25	60	WATER	P30-001214
25	70	AIR	P30-002387
25	70	WATER	P30-002384
25	85	AIR	P30-001461
25	85	WATER	P30-001342
30	100	AIR	P30-001736
30	100	WATER	P30-001738-2
50	100	AIR	P30-001470
50	100	WATER	P30-001298
50	120	AIR	P30-001471
50	120	WATER	P30-001277
50	140	WATER	P30-002369
50	160	AIR	P30-001479
50	160	WATER	P30-001276
50	180	WATER	P30-001433
50	200	WATER	P30-001337

**Accessories**

<b>Accessory Name</b>	<b>Part Number (D25)</b>	<b>Part Number (D50)</b>
<b>Threaded Adaptor</b>	P45-003024	P45-003499
<b>Protective Window Assembly</b>	P30-001475	P30-001581
<b>Tool</b>	P50-001555	P50-001556