

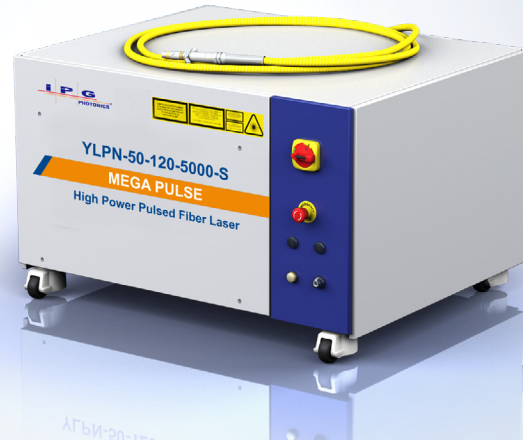


YLPN-50-120-5000-S

Megapulse Ytterbium Fiber Laser

NEW PRODUCT

Power up to 5 kW



Applications

- ▶ Surface Preparation
- ▶ Micromachining
- ▶ Solar/Photovoltaic
- ▶ Marking
- ▶ Texturing
- ▶ Ablation
- ▶ Scribing
- ▶ Laser Surface Cleaning- Free of Abrasives, Solvents and Chemicals



Features

- ▶ Wavelength 1060 nm
- ▶ Pulse Energy up to 50 mJ
- ▶ Pulse Duration 120 ns
- ▶ Average Power up to 5000 W
- ▶ Repetition Rate up to 100 kHz
- ▶ Rugged, Industrial Design

IPG Photonics' NEW Mega Pulse YLPN-50-120-5000-S ultra-high power fiber laser provides an average output power up to 5 kW at the work piece and a pulse energy up to 50 mJ at a fixed pulse duration of 120 ns. With a wall-plug efficiency over 30%, a variety of fiber delivery options, a small form factor and maintenance-free operation, IPG's Mega Pulse high power pulsed laser is ideally suited for high throughput surface preparation and treatment such as laser ablation, texturing and laser surface cleaning – a process that can be carried out without abrasives, solvents and chemicals.

YLPN-50-120-5000-S

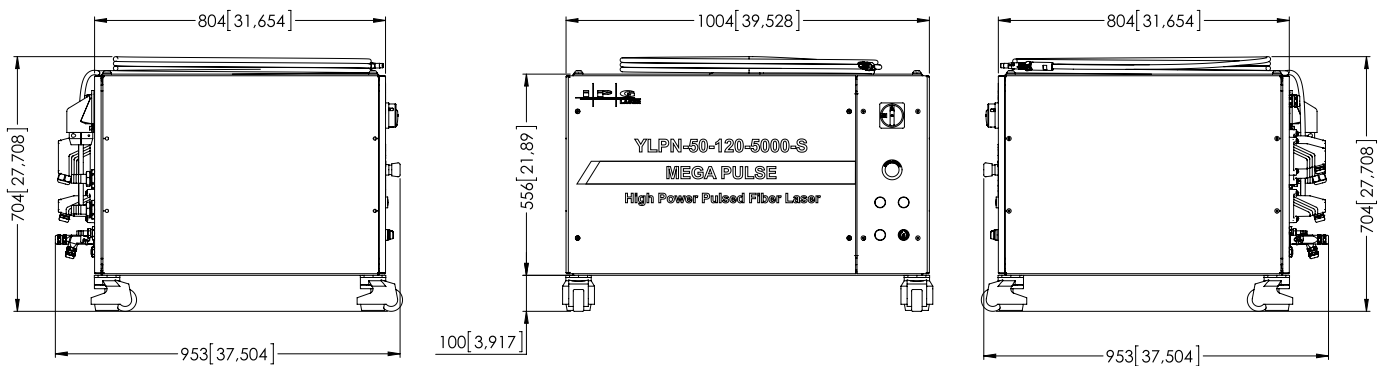
Megapulse Ytterbium Fiber Laser

Optical Characteristics

Wavelength, nm	1060
Average Power, W	up to 5000
Pulse Energy, mJ	up to 50
Pulse Duration, ns	120
Repetition Rate, kHz	up to 100
Power Stability, %	±2
Beam Parameter Product, mm × mrad	21 @ 300 μm feeding fiber 35 @ 500 μm feeding fiber

General Characteristics

Cabinet Dimensions (W × D × H), mm	1004 × 804 × 556
Weight, kg	220
Cooling	IPG's Air-to-water Chiller
Supply Voltage, VAC	400-480 3-phase, 50/60 Hz
Power Consumption, kW	13



+1 (508) 373-1100; sales.us@ipgphotonics.com
 +49 2736 44200; sales.europe@ipgphotonics.com (European Inquiries)

www.ipgphotonics.com

Legal notices: All product information is believed to be accurate and is subject to change without notice. Information contained herein shall legally bind IPG only if it is specifically incorporated into the terms and conditions of a sales agreement. Some specific combinations of options may not be available. The user assumes all risks and liability whatsoever in connection with use of a product or its application. IPG, IPG Photonics, The Power to Transform and IPG Photonics' logo are trademarks of IPG Photonics Corporation. © 2014-18 IPG Photonics Corporation. All rights reserved.

MAX. AVERAGE OUTPUT POWER: 10,000 W
 MAX. PEAK OUTPUT POWER: 1 MW
 PULSE DURATION: 120 ns
 PULSE REPETITION RATE: ≤100 kHz
 WAVELENGTH RANGE: 900-1200 nm

**ANGER - INVISIBLE LASER
 RADIATION AVOID EYE OR SKIN
 EXPOSURE TO DIRECT OR
 SCATTERED RADIATION
 CLASS 4 LASER PRODUCT**

IEC 60825-1:2014

The Power to Transform®