



BLM Series

Blue Diode Laser Modules

NEW PRODUCT



Applications

- ▶ Entertainment
- ▶ Medical
- ▶ Optical Pumping



Features

- ▶ Output Power up to 150 W
- ▶ Wavelength 450 nm
- ▶ Conduction-, Air- or Water-cooled Module
- ▶ Compact and Rugged Design

IPG Photonics' NEW BLM Series Blue Diode Laser Modules are turnkey diode systems with integrated driver electronics and conduction-, air- or water-cooling. With output powers up to 150 W, these compact, rugged modules produce 450 nm output with 5 nm linewidth. The conduction-cooled BLM modules are available up to 50 W, air- or water-cooled at 100 and 150 W. The modules feature standard SMA-905 connector and can be offered with a range of output options including collimator or bare fiber termination. IPG's diode modules are attractively priced for OEMs and integrators and serve a wide range of entertainment, medical and laser pumping applications.

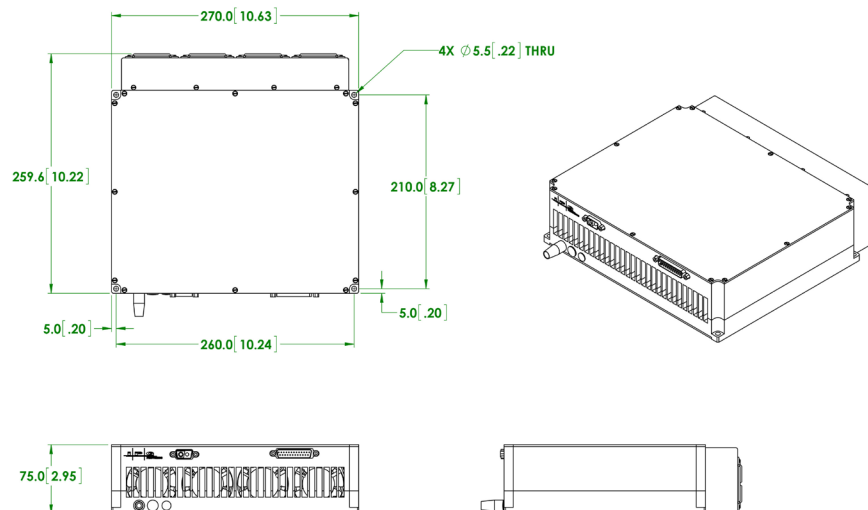
BLM Series

Blue Diode Laser Modules

Optical Characteristics	BLM-30	BLM-50	BLM-100	BLM-150
Wavelength, nm	450 ±5			
Linewidth FWHM, nm	5			
Mode of Operation	CW/Modulated			
Max. Output Power*, W	30	50	100	150
Standard Fiber Termination	SMA-905			
Output Fiber Diameter, μm	100		200	
Output NA	0.22			

*Higher output power available upon request

General Characteristics				
Module Dimensions (W × D × H), mm	80 × 160 × 22		270 × 255 × 75 or 270 × 220 × 60	
Cooling	Conduction-cooled		Air- or Water-cooled	
Control Interface	DB-25 Analog			
Max. Supply Voltage, VDC	58			
Max. Power Consumption, W	100	150	350	500



+1 (508) 373-1100
 sales.us@ipgphotonics.com
www.ipgphotonics.com

Legal notices: All product information is believed to be accurate and is subject to change without notice. Information contained herein shall legally bind IPG only if it is specifically incorporated into the terms and conditions of a sales agreement. Some specific combinations of options may not be available. The user assumes all risks and liability whatsoever in connection with use of a product or its application. IPG, IPG Photonics, The Power to Transform and IPG Photonics' logo are trademarks of IPG Photonics Corporation. © 2016-18 IPG Photonics Corporation. All rights reserved.

MAX. AVERAGE OUTPUT POWER: 300 W
 WAVELENGTH RANGE: 440-460 nm

DANGER - INVISIBLE LASER
 RADIATION AVOID EYE OR SKIN
 EXPOSURE TO DIRECT OR
 SCATTERED RADIATION
 CLASS 4 LASER PRODUCT
 IEC 60825-1:2014

The Power to Transform®